

Motion detector

# IS 360-1 DE

white

EAN 4007841 032845

Article number 032845



infrared sensor  
360°



max. 4 m

1000 W

1000 W max.  
(LED-ready)



IP54



2 - 2000 lux



8 sec - 35 min



ideal 2,2 m



energy saving

3 years

manufacture's  
warranty  
[steinel.de/garantie](https://www.steinel.de/garantie)



CE

## Function description

Intelligent technology for installation. Infrared wall sensor IS 360-1 DE, for indoors and out, ideal for installing in projecting roofs and suspended ceilings, 360° angle of coverage, reach can be set up to 4 m, selectable time and twilight threshold, detection zone can be customised with shrouds.

**Motion detector****IS 360-1 DE**

white

EAN 4007841 032845

Article number 032845

**Technical specifications**

Type	Motion detectors	Fluorescent lamps, electronic ballast	430 W
Dimensions (Ø x H)	78 x 89 mm	Fluorescent lamps, uncorrected	500 VA
Mains power supply	230 – 240 V / 50 – 60 Hz	Fluorescent lamps, series-corrected	406 VA
Sensor Technology	passive infrared	Fluorescent lamps, parallel-corrected	406 VA
Application, place	Outdoors, Indoors	Switching output 1, low-voltage halogen lamps	1000 VA
Installation site	ceiling	LED lamps	16 W
Installation	In-ceiling installation	LED lamps > 2 W	64 W
Mounting height	2,50 – 4,00 m	LED lamps > 8 W	64 W
Reach, radial	Ø 4 m (13 m <sup>2</sup> )	Capacitive load in µF	132 µF
Reach, tangential	Ø 8 m (50 m <sup>2</sup> )	Constant-lighting control	No
Detection angle	360 °	Basic light level function	No
Angle of aperture	90 °	Settings via	Potentiometers
Switching zones	306 switching zones	With remote control	No
Optimum mounting height	2,5 m	Interconnection	Yes
Mechanical scalability	No	Type of interconnection	Master/master
Sneak-by guard	Yes	IP-rating	IP54
Capability of masking out individual segments	Yes	Material	Plastic
Electronic scalability	No	Ambient temperature	-20 – 40 °C
Twilight setting TEACH	No	Application, room	outdoors, front door, all round the building, terrace / balcony, Indoors
Twilight setting	2 – 2000 lx	Colour	white
Time setting	8 s – 35 Min.	Colour, RAL	9010
Output	1000 W	Manufacturer's Warranty	3 years
Switching output 1, resistive	1000 W	Version	white
Switching output 1, number of LEDs / fluorescent lamps	6 pcs.	PU1, EAN	4007841032845

Motion detector

# IS 360-1 DE

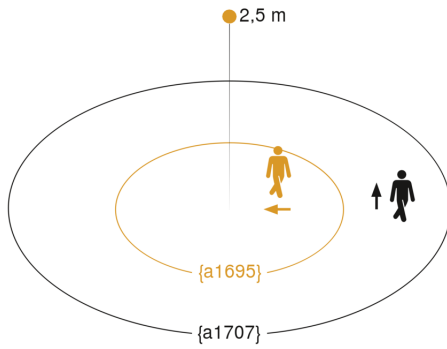
white

EAN 4007841 032845

Article number 032845



### Detection Zone

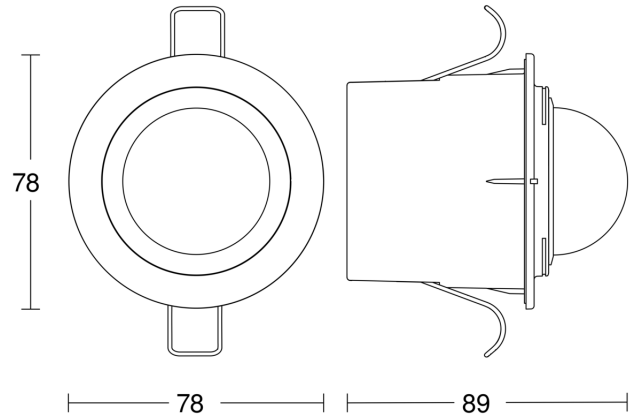


Mögliche Montagehöhe: 2,50 m – 4,00 m

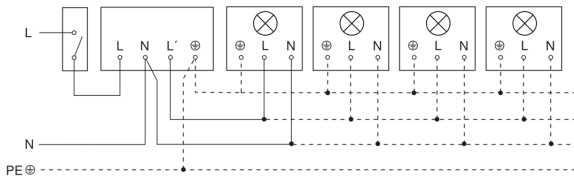
Orange: radial

Schwarz: tangential

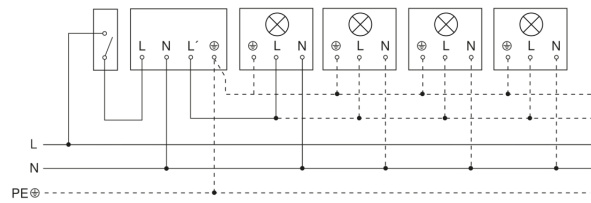
### Dimension Drawing



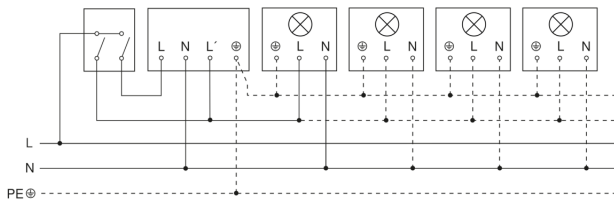
### Light without neutral conductor



### Light with neutral conductor



### Connection using two-circuit switch for manual and automatic operation



### Connection via a two-way switch for manual override and automatic operation

